



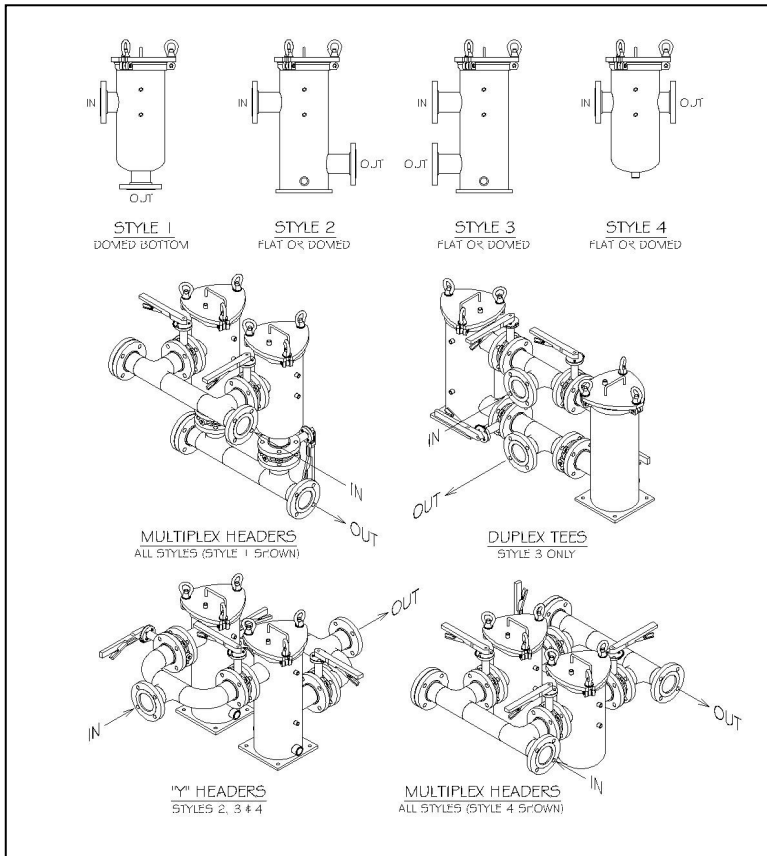
CUSTOM SERVICE & DESIGN, INC.
AUBURN HILLS, MI

Phone: 248.340.9005
Fax: 248.340.9002

www.customserviceanddesign.com

CSD STRAINER LINE CARD
BULLETIN—STRAINERLINE-15





STRAINERS

MODEL	# OF BASKETS	STD PIPE SIZES (IN.)	NOMINAL FLOW RATE GPM*	WEIGHT (LBS.)
S04	1	.75,1,1.25,1.5,2		74
S06	1	1,1.5,2		97
S07A	1	2,3		135
S08	1	2,3,4,6		210
S16	1	2,3,4		450
S18	1	2,3,4		490
S22	1	3,4,6		590
S24	1	3,4,6		605
S30	1	4,6,8		860
S36	1	6,8,10		1305
S42	1	6,8,10,12		2205
S48	1	8,10,12		2542

*** For specific vessel dimensional cut sheets, call factory or consult website***



CUSTOM SERVICE & DESIGN, INC.
AUBURN HILLS, MI

PHONE: 248.340.9005
FAX: 248.340.9002

www.customserviceanddesign.com

